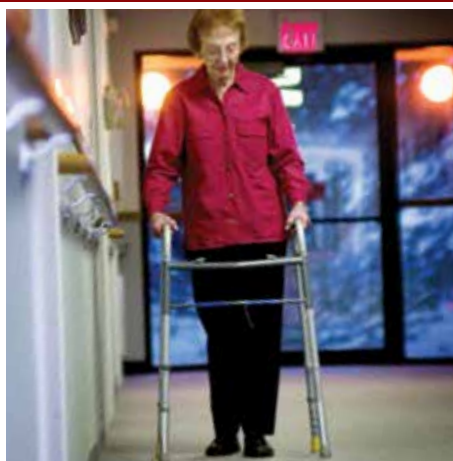


# LED Nightlight Wiring Devices

Lighting the way to Safety.



LED Nightlight Devices Provide Light Without Wasting Energy.



- ✓ LED Illumination for Energy Efficiency
- ✓ Designed with Safety in Mind
- ✓ Automatically Turns On and Off

When you think safety, think Hubbell. The nightlight family of products from Hubbell combine the function of a wiring device with the convenience of a nightlight. Designed to provide a guiding light, these devices are energy efficient, consuming between 0.5-1 watt. Available in duplex tamper resistant receptacles, decorator switches and decorator nightlight, there is a device for every application.



Nightlight wiring devices can be used in many commercial and residential applications as an alternative to plug-in nightlights. These products are designed for permanent installation and equipped with a photo cell to automatically turn on and off depending on the amount of ambient light present. Everyday plug-in nightlights are bulky, easily damaged, and occupy outlets that may be needed. Hubbell offers nightlight devices in a compact and aesthetically pleasing Style Line® decorator receptacle, switch or nightlight.

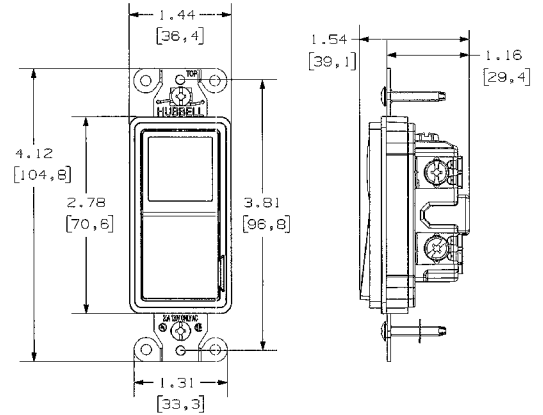
## Ordering Information

### Nightlight Decorator Switches

- LED 0.5 Lumen Nightlight with Polycarbonate Lens
- Impact Resistant Thermoplastic Rocker and Base
- Large Illuminated Area



|              |                              |
|--------------|------------------------------|
| Description  | Single Pole 20A, 120/277V AC |
| Ivory        | <b>DS120NLIV</b>             |
| Light Almond | <b>DS120NLLA</b>             |
| White        | <b>DS120NLWH</b>             |

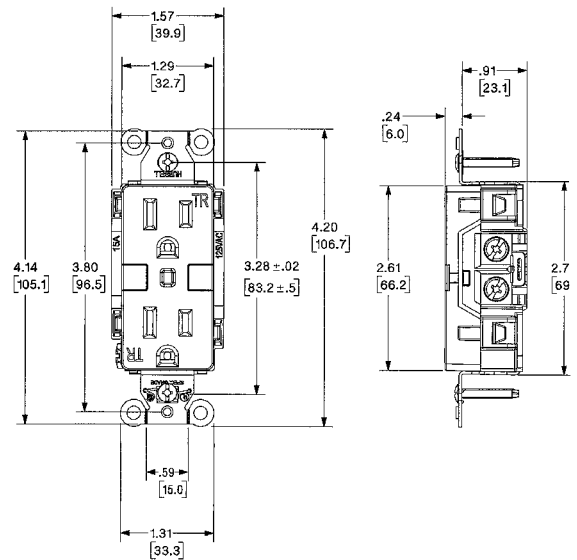


### Nightlight Receptacle

- 2 LED Nightlight Sources for 0.5 Lumens Total
- Tamper Resistant Shutters Complies with NEC Article 406.12
- Back and Side Wired



|              |                        |
|--------------|------------------------|
| Description  | 15A 125V AC NEMA 5-15R |
| Ivory        | <b>DR15NLIV</b>        |
| Light Almond | <b>DR15NLLA</b>        |
| White        | <b>DR15NLWH</b>        |



### Nightlight Only

- LED 1.5 Lumen Nightlight w/ Polycarbonate Lens
- Full face lens for maximum illumination
- 6" Pre-wired Stranded Wire with 1/2" stripped ends



|              |                  |
|--------------|------------------|
| Description  | 120V AC          |
| Ivory        | <b>DD100NLIV</b> |
| Light Almond | <b>DD100NLLA</b> |
| White        | <b>DD100NLWH</b> |

